



KIT IAT 02V5

External inductive loop amplifier for installation into the COP

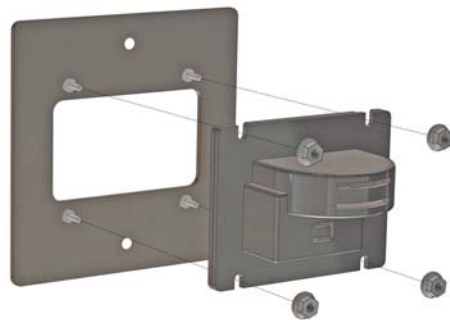
- Connection to HPMV5A1, HPMV5A2, ADV31A001, ADV31A002, ADV31A003, etc....

Connections

- Cable for connection to the microphone/loudspeaker unit in the lift car - Length 2 m

Mounting

- Flush mount
- Cut-out drawing No.D000 1128A - D000 1008-02



Dimensions

